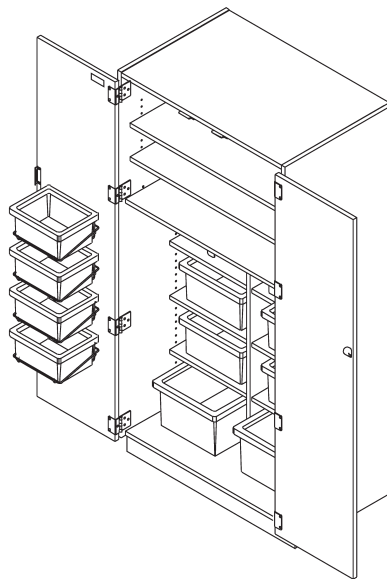
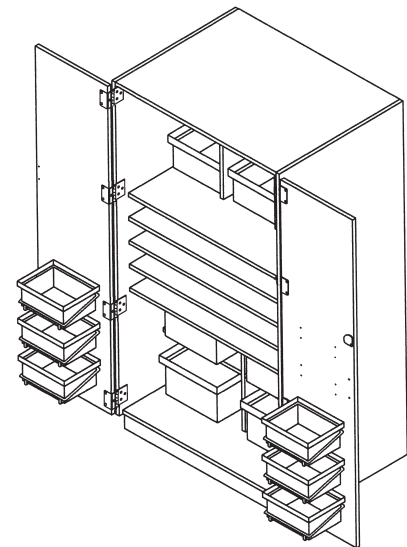


ORFF Garage



Small Instrument Cabinet
(Cabinets Shown Fully Assembled)



Poster Storage Cabinet

CONTENTS

Important User Information	2	Installing and Adjusting the Doors	5
General	2	Securing Cabinet(s) to the Wall	5
Manufacturer	2	Securing the ORFF Garage to the Floor	6
Intended Use	2	Installing the Shelves	7
Warranty	2	Installing the Bin Brackets	7
Before You Begin	3	Installing the Door Catches	7
Required Tools	3	Storage Cabinet Maintenance	8
Fasteners Parts List	3	Cleaning	8
Installing Screw Inserts	3	Humidity Control	8
Leveling the Cabinets	4		

Note: Please read and understand these instructions before assembling the parts.

Note: Remove all items from the shipping cartons and arrange them in a convenient location. Refer to the illustrations on the following pages. If you need additional information, contact Wenger Corporation using the information below.

IMPORTANT USER INFORMATION

GENERAL

Copyright © 2015 by Wenger Corporation

All rights reserved. No part of the contents of this manual may be reproduced, copied, or transmitted in any form or by any means including graphic, electronic, or mechanical methods or photocopying, recording, or information storage and retrieval systems without the written permission of the publisher, unless it is for the purchaser's personal use.

Printed and bound in the United States of America.

The information in this manual is subject to change without notice and does not represent a commitment on the part of Wenger Corporation. Wenger Corporation does not assume any responsibility for any errors that may appear in this manual.

In no event will Wenger Corporation be liable for technical or editorial omissions made herein, nor for direct, indirect, special, incidental, or consequential damages resulting from the use or defect of this manual.

The information in this document is not intended to cover all possible conditions and situations that might occur. The end user must exercise caution and common sense when assembling or installing Wenger Corporation products. If any questions or problems arise, call Wenger Corporation at 1-800-887-7145.

MANUFACTURER

The Elementary Storage Cabinets are manufactured by:

Wenger Corporation
555 Park Drive
Owatonna, MN 55060
1-800-4WENGER (493-6437) • 1-507-455-4100
www.wengercorp.com

INTENDED USE

- This product is intended for indoor use in normal ambient temperature and humidity conditions — it must not be exposed to prolonged outside weather conditions.
- This product is intended to be assembled and used only as described in these instructions.

WARRANTY

This product is guaranteed free of defects in materials and workmanship for ten full years from date of shipment. A full warranty statement is available upon request.

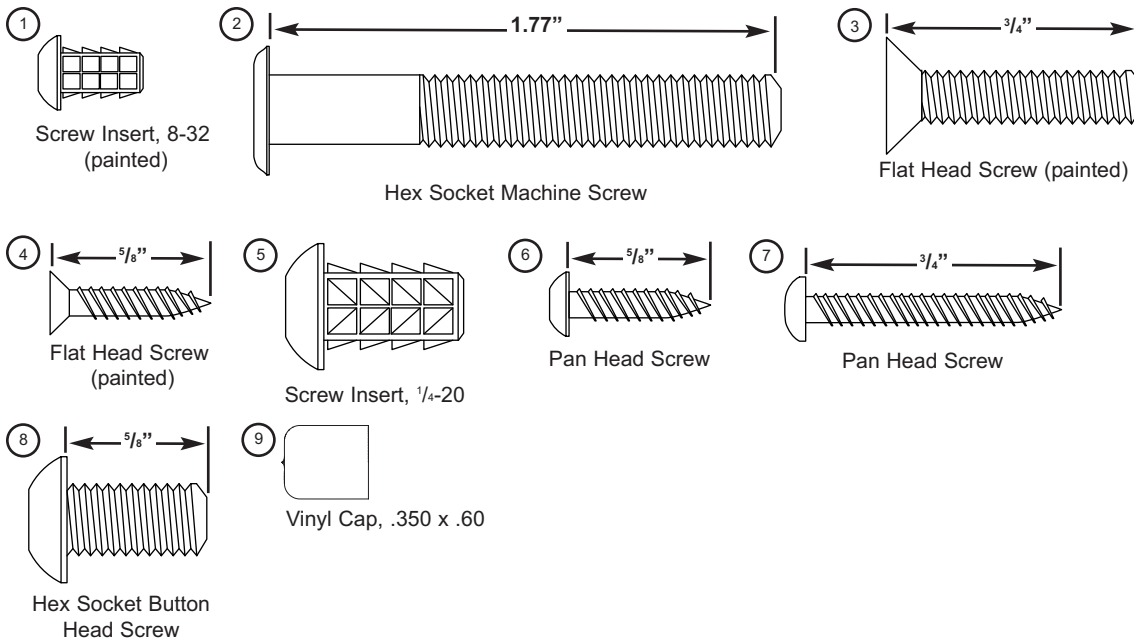
BEFORE YOU BEGIN

- Read the complete assembly procedure before you begin.
- The Elementary Storage Cabinets are shipped almost entirely assembled.
To install, level the cabinet and attach the few remaining components as outlined in these instructions.
- Remove all items from the shipping carton and lay them out approximately in their final position.
- Remove all items from the hardware bag and determine where all of the fasteners will be used.

REQUIRED TOOLS

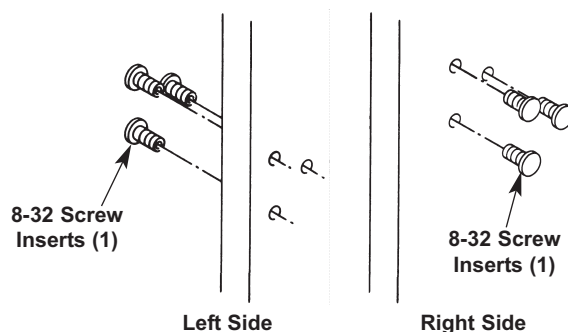
- Tape Measure
- Carpenter's Square
- Phillips Head Screwdriver
- Plastic Mallet
- Carpenter's Level
- Carpenter's Square
- $\frac{1}{4}$ " Open-end Wrench or $\frac{1}{4}$ " Socket
- $\frac{5}{32}$ " Allen Wrench

FASTENER PARTS LIST



INSTALLING SCREW INSERTS

1. Use a plastic mallet to pound 8-32 screw inserts (1) into the twelve holes (four sets) located on the outside front edge of both of the cabinet side panels from the front edge of both panels. The screw inserts will be used later for the hinge screws.



LEVELING THE CABINETS

NOTE: Do not try to level the cabinets to match soffits.

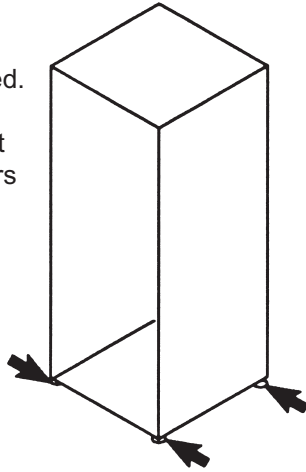
NOTE: Do not try to plumb the cabinet to match adjacent walls.

NOTE: For proper door alignment, follow these instructions carefully.

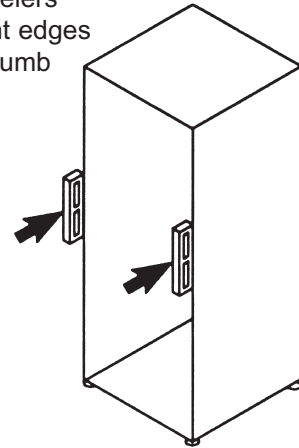
NOTE: To access the levelers, the file drawers must be removed first.

See "File Drawer Removal" before leveling the cabinet.

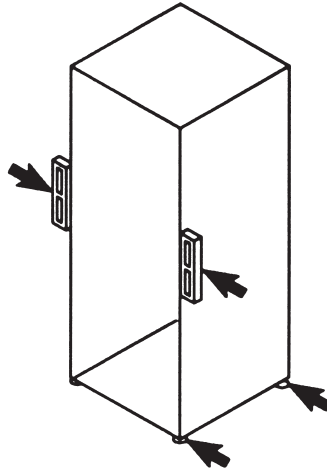
1. Check the level of the entire floor where the cabinets will be installed. Determine the highest point of the floor in that area. Extend all levelers until the bottom of the cabinet will be higher than the highest point in the floor.



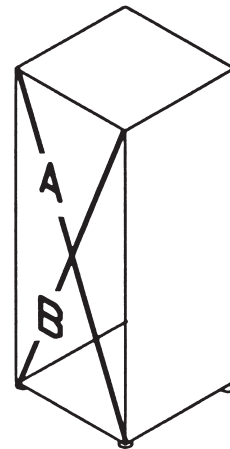
4. Adjust both front levelers equally until the front edges of the cabinet are plumb (front-to-back).



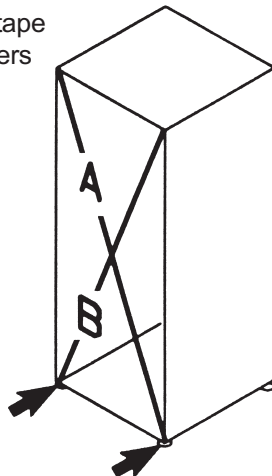
2. Adjust the levelers on one side until the front edges of the cabinet side panels are plumb (side-to-side).



5. Recheck that A=B. Readjust if necessary (repeat steps 2-4).



3. Measure A and B with a tape and adjust the front levelers until A=B (+1/32 inch).



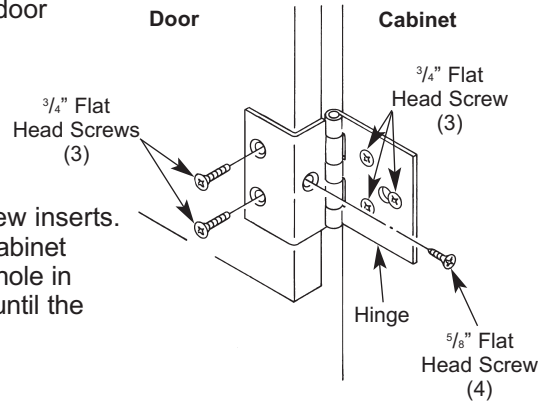
If additional cabinets will be installed:

6. Adjust the levelers on the next cabinet so it will line up with the top of the first cabinet.
7. Repeat steps 2-5 for the second cabinet.
8. Continue in the same manner until all cabinets are leveled.

INSTALLING AND ADJUSTING THE DOORS

NOTE: The cabinet must be properly leveled first, or the doors will not fit properly.

1. Lay the door flat. Use a plastic mallet to pound 8-32 screw inserts (1) into the eight holes (four pairs) near one edge of each door (install inserts into the outside face of the door).
2. Attach four hinges to the inside face of each door, using two $\frac{3}{4}$ " flat head screws (3) into the screw inserts installed in Step 1.
3. Hold a door in position on the cabinet. Attach the hinges to the side panel, using three $\frac{3}{4}$ " flat head screws (3) into the previously installed screw inserts. A screw may be inserted into the rear-most hole of the cabinet and the door may be hung from it by placing the slotted hole in the hinge onto the screw and moving the hinge forward until the other two screw inserts are exposed. Tighten the three screws in each hinge. Repeat with the other door.
4. Secure each hinge to the edge of the door, using a $\frac{5}{8}$ " flat head screw (4) in the pilot hole.



SECURING THE CABINET(S) TO THE WALL

CAUTION
Cabinets are unsafe unless secured as specified.

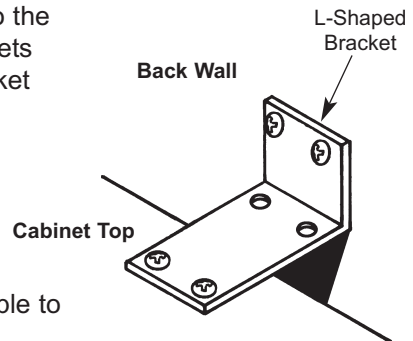
CAUTION
Use methods appropriate to your wall surface.

NOTE: The following instructions are for standard installations. For seismic installation instructions, see 145R422.

There is one L-Shaped Bracket in each hardware bag for attaching the cabinet to the wall surface. Because of the variety of possible wall surfaces, fasteners are not included. Have your maintenance people recommend an appropriate type for safe, secure attachment.

NOTE: Make sure all the cabinets are secured together before you attach them to the back wall.

1. Using the L-Shaped Brackets, you can tie cabinets together and to the wall surface at the top. The brackets have extra holes: if the cabinets can't be positioned tight against the wall, you can slide the L-Bracket back as much as 2" (5 cm) until it is tight against the wall surface.



2. Use the necessary fasteners suggested by your maintenance people to secure the cabinets to the wall.

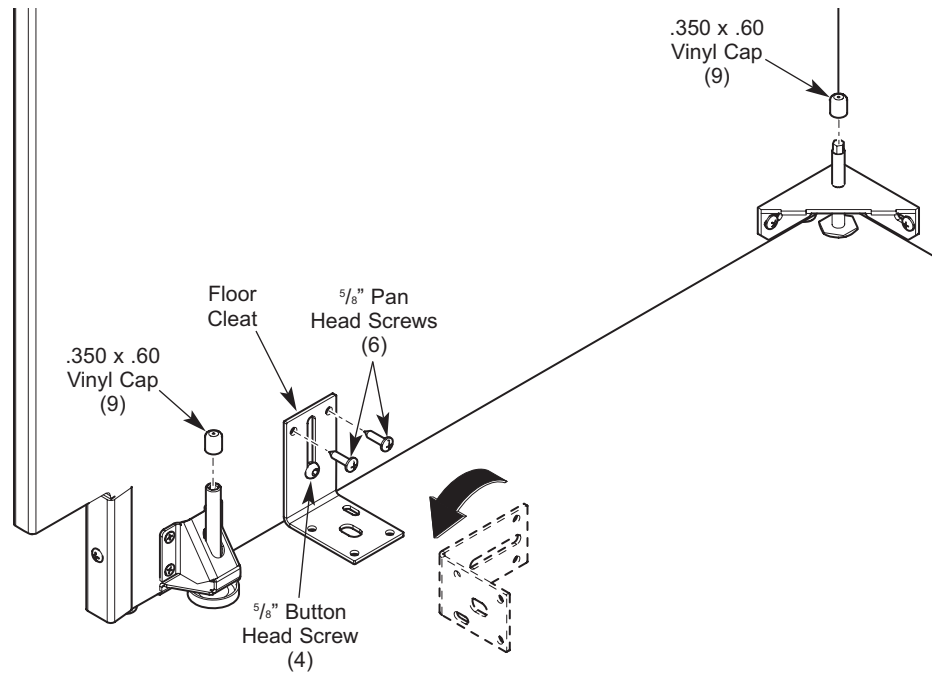
SECURING THE ORFF GARAGE TO THE FLOOR

NOTE: The following instructions are for the ORFF Garage only, the other cabinets are not secured to the floor.

Because of the variety of possible floor materials, fasteners are not included. Have your maintenance people recommend an appropriate type for safe, secure attachment.

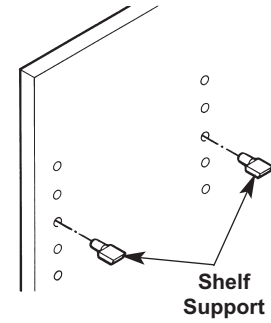
NOTE: Make sure all the cabinets are secured together and leveled with the doors installed before you attach them to the floor.

1. Detach and remove the support board from the Floor Cleats at the bottom of the cabinet. The support board can be discarded.
2. Loosen the $\frac{5}{8}$ " button head screws (8).
3. Rotate the Floor Cleats forward 90° and let them drop to the floor. Tighten the $\frac{5}{8}$ " button head screws (8) and attach the Floor Cleats to the cabinet using two $\frac{5}{8}$ " pan head screws (6).
4. Use the necessary fasteners suggested by your maintenance people to secure the cabinets to the floor.
5. Apply .350 x .60 Vinyl Caps (9) to the four side and corner leveler posts.



INSTALLING THE SHELVES

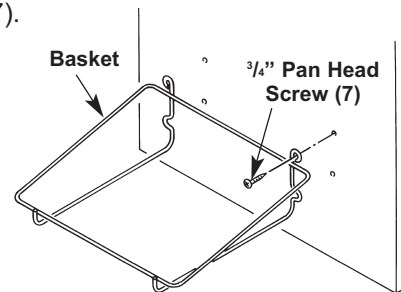
1. Position the shelf supports at the desired shelf heights.
The flat edge of the shelf support should face up, to match the slots in the bottom of the shelf.
2. Install the shelves.



INSTALLING THE BIN BRACKETS

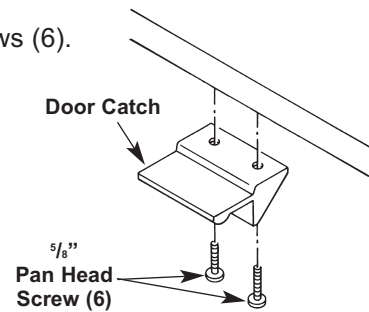
1. Install bin brackets on the doors using four $\frac{3}{4}$ " pan head screws (7).

NOTE: For easier access by students, install the bin brackets on the lower section of the doors.



INSTALLING THE DOOR CATCHES

1. Attach the two door catches to the pilot holes in the underside of the top panel, where the doors meet. Use two $\frac{5}{8}$ " pan head screws (6).



STORAGE CABINET MAINTENANCE

CLEANING

For removal of mild stains and mild scuff marks, the polyester wood panels and polyester shelves may be cleaned using an all-purpose household cleaner (409, Fantastic, or similar), or just simple mild soap and water.

For heavier scuff marks, ink stains, felt pen and magic marker stains, or other tough stains; use a non-abrasive cleaner (Soft Scrub or similar), or an industrial all-purpose cleaner (Acetone or similar). Ammoniated or vinegar-based glass cleaners also work well for these stains.

Do not use harsh abrasive cleaners, as permanent damage could occur to the panel surface. Be sure to quickly remove all cleanser residues with water and wipe dry with a soft cloth.

HUMIDITY CONTROL

To insure longevity of panel performance, maintain the relative humidity between 25% - 55% at the permanent installation site.